

America

Siemens Energy & Automation, Inc.
100 Technology Drive
Alpharetta, GA 30202
Tel. (001) 800964 4114
Fax (001) 7707 403393

Australia

Siemens Ltd.
Automation & Drives
855 Mountain Highway
Bayswater Victoria 3153
Tel. (0061) 39721 2000
Fax (0061) 39720 8395

Belgium

Siemens S.A.
Chaussée de Charleroi 116
B-1060 Bruxelles
Tel. (0032) 25 36 27 77
Fax (0032) 25 36 22 06

Brazil

Siemens S.A.
Avenida Mutinga, 3650
Pirituba
05150-900 Sao Paulo-SP
Tel. (0055) 1 18 33 40 27
Fax (0055) 1 18 33 40 14

Canada

Siemens Limited
80 Walker Drive
Brampton, Ontario
L6T 4H6
Tel. (001) 9054 583392
Fax (001) 9054 581200

China

Siemens Ltd., China
7, Wangjing Zhonghuan Nanlu
Chaoyang District
P.O.B. 8543
Beijing 100015
Tel. (0086) 10-64 36 1888 ext. 33 08
Fax (0086) 10-64 38 1459

Denmark

Siemens A/S
Borupvang 3
DK-2750 Ballerup
Tel. (0045) 44 77 42 36
Fax (0045) 44 77 44 88

Egypt

Siemens Limited
20, Victor Emmanuel Street
P.O.B. 748
Alexandria-Smouha
Tel. (0020) 34 20 91 01
Fax (0020) 34 20 91 03

Finland

Siemens Osakeyhtiö
Majurinkatu 6
SF-02601 Espoo
Tel. (00358) 105 11 33 50
Fax (00358) 105 11 37 00

France

Siemens S.A.
39-47 boulevard Ornano
F-93527 Saint-Denis CEDEX 2
Tel. (0033) 1 49 22 36 75
Fax (0033) 1 49 22 35 23

Great Britain

Siemens plc
Drives & Standard Products
Sir William Siemens House
Princess Road
Manchester M20 8UR
Tel. (0044) 6 14 46 53 00
Fax (0044) 6 14 46 54 71

Greece

Siemens A.E.
Artemidos 8
P.O.B. 61011
GR-15110 Amaroussio/Athen
Tel. (0030) 16 86 41 11
Fax (0030) 16 86 42 99

Hong Kong

Siemens Ltd.
58/F Central Plaza
18 Harbour Road
Wanchai
Tel. (00852) 25 83 32 20
Fax (00852) 28 24 91 96

India

Siemens Ltd.
Plot 2, Sector 2
Kharghar Node
Navi Mumbai, 410 208
Tel. (0091) 22 757 7071
Fax (0091) 22 757 7106

Indonesia

PT Siemens Indonesia
JI Jend. Achmad Yani
Pulo Mas, Jakarta 13210
Tel. (0062) 21 472 94 32
Fax (0062) 21 472 94 36

Ireland

Siemens Limited
8 Slaney Road
Dublin 11
Tel. (00353) 16 03 24 35
Fax (00353) 16 03 24 99

Italy

Siemens S.P.A.
Via Piero e Alberto Pirelli 10
I-20126 Milano
Tel. (0039) 02 66 76 26 07
Fax (0039) 02 66 67 29 71

Japan

Siemens K.K.
Automation & Drives Dept.
Takanawa Park Tower
20-14, Higashi-Gotanda 3-chome
Shinagawa-ku, Tokyo 141-8641
Tel. (0081) 3 54 23 86 00
Fax (0081) 3 54 23 87 34

Korea

Siemens Ltd.
11th Floor P.M.K. Building
746 Yeoksam-dong
Kangnam-gu
Seoul 135-080
Tel. (0082) 02 34 20 47 20
Fax (0082) 02 34 20 48 19

Malaysia

Siemens Electrical Engrg Sdn Bhd
3rd Floor, Menara Choy Fock On
1 B Jalan Yong Shook Lin
46050 Petaling Jaya
Selangor Darul Ehsan
Tel. (0060) 03 7 51 37 97
Fax (0060) 03 7 55 22 82

Netherlands

Siemens Nederland N.V.
Prinses Beatrix Laan 26
NL-2500 BB Den Haag
Tel. (31) 07 03 33 32 59
Fax (31) 07 03 33 32 91

Norway

Siemens A/S
Division Industrie og Skip
Avdeling Motordrifter
Bratsbergvn. 5
N-7004 Trondheim
Tel. (0047) 73 95 96 09
Fax (0047) 73 95 91 90

Pakistan

Siemens Pakistan
Engineering Co. Ltd.
Power Engineering Department
23, West Blue Area
P.O.B. 11 29
Islamabad-44000
Tel. (0092) 051 21 22 00
Fax (0092) 051 82 35 85

Philippines

Siemens Inc.
10th Floor-B Salcedo Tower
169 H.V. Dela Costa St.
Sacedo Village
Makati City 1227
Tel. (0063) 2 814 98 82
Fax (0063) 2 814 98 94

Portugal

Siemens S.A.
Engeria e Indústria
Apartado 60300
P-2700 Amadora
Tel. (00351) 0 14 17 84 72
Fax (00351) 0 14 17 80 71

Singapore

Siemens Advanced Engrg Pte Ltd
2 Kallang Sector
Singapore 349277
Tel. (0065) 7 40 72 28
Fax (0065) 7 40 72 44

South Africa

Siemens Ltd.
300 Janadel Avenue
Siemens Park, Midrand
Private Bag X71
Halfway House 1685
Tel. (0027) 01 1652 36 45
Fax (0027) 01 1652 36 96

Spain

Siemens S.A.
Ronda de Europa 5
E-82760 Tres Cantos
Tel. (0034) 9 15 14 70 89
Fax (0034) 9 15 14 70 32

Sweden

Siemens AB
Johanneslundsvägen 12-14
S-19487 Upplands Väsby
Tel. (0046) 87 28 14 02
Fax (0046) 87 28 10 82

Taiwan

Siemens Limited
19F, 333 Tun-Hua S. Road
Sec. 2
Taipei
Tel. (00886) 2 23 76 19 01
Fax (00886) 2 23 78 89 58

Thailand

Siemens Ltd
Charn-Issara Tower II, 31st Floor
2922/283 New Petchaburi Road
Bangkapi, Huaykwang
Bangkok 10320
Tel. (0066) 2 381 57 60
Fax (0066) 2 712 24 39

Turkey

Simko Ticaret ve Sanayi A.S.
Atatürk Bulvarı 169
06680 Ankara
Tel. (0090) 31 24 19 65 29
Fax (0090) 31 24 19 37 89

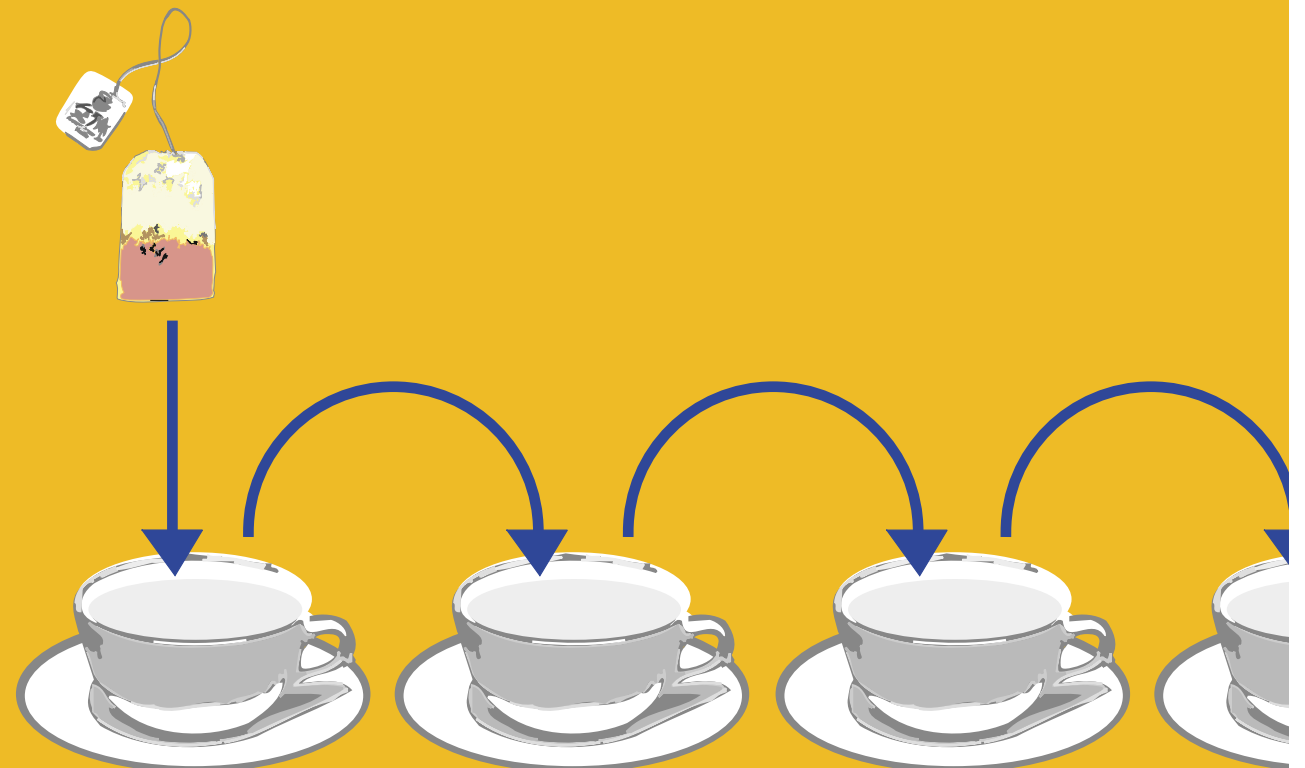
Vietnam

Siemens AG Representation Office
HCMC Branch Office
The Landmark Building, 2nd Floor
5B Ton Duc Thang Street
District 1
Ho Chi Minh City
Tel. 8 48-8 25 19 00
Fax 8 48-8 25 15 80

SIEMENS

RIS-RIEGERTTEAM.DE

Looking for ways to save money.
We recommend our SIMOREG DC-MASTER



www.ad.siemens.de

Automation & Drives
Large Drives
P.O. Box 47 43, 90025 Nuernberg, Germany

Siemens Aktiengesellschaft

Subject to change without prior notice

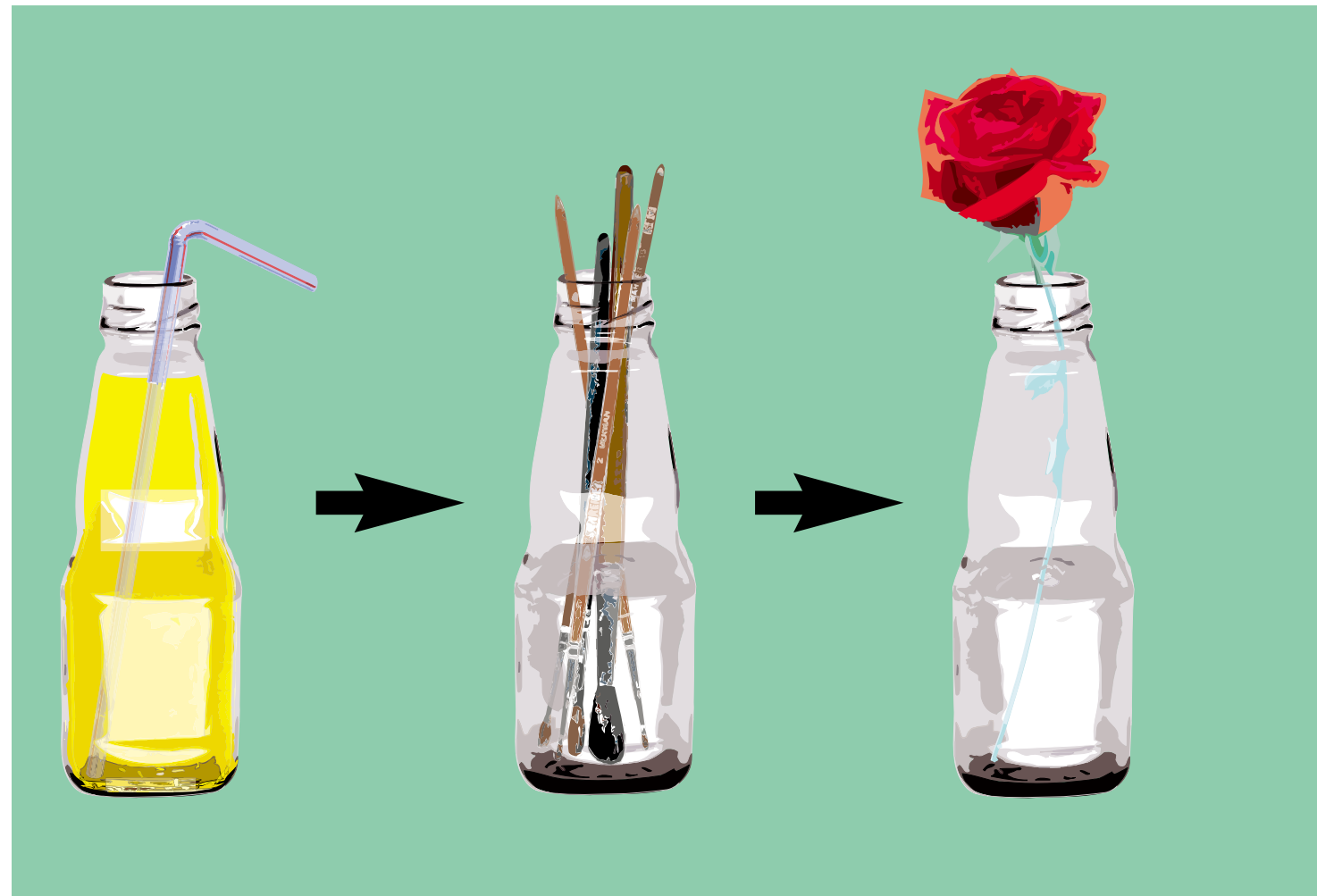
Order No. E20001-A20-P520-X-7600
Dispostelle 21502 SEK 30334
Printed in the Fed. Rep. of Germany
LDDC.52.0.02 WS 01013.



**Utilize practical cost-saving measures.
Use hardware which reduces your costs**

Depending on the particular application, often, DC drives are the most favourably-priced drive solution. They offer many benefits when it comes to reliability, operator-friendliness and performance. If you are looking for the optimum cost-effective DC drive solution, then you can depend on SIMOREG® DC-MASTER—drive converters with the highest output and integrated intelligence. When it comes down to it, they have the unique

features of Siemens products: Totally Integrated Automation. This means that you benefit from the fact that they are completely integrated into the Siemens system environment: when engineering/configuring and programming, with the common database and the integrated communications—and you can save money in more than just one way!



**A complete family:
SIMOREG DC-MASTER**

The SIMOREG DC-MASTER family is available in all versions—for an output range from 6.3 kW to 1900 kW, for armature and field supply, for single and four-quadrant drives. And it offers high dynamic performance: its current and torque rise times are significantly less than 10 ms. This means that you can select the optimum version for your particular application.

And here are some of the highlights of the SIMOREG DC-MASTER:

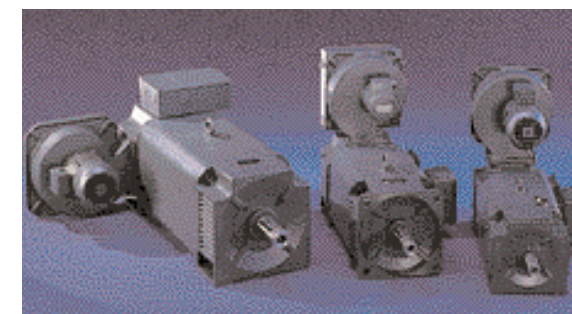
- It can be fully integrated into any automation environment
- It can be expanded in a modular fashion—from the standard application up to high-performance solutions
- It has an extended output range up to 12000 A
- Rated supply voltages from 400 V to 830 V
- Short and fast commissioning as all of the settings are fully electronically parameterized
- Unified operator control philosophy

Retrofitting to rejuvenate plants/systems

You can rejuvenate older DC solutions using the SIMOREG CM unit. The Control Module permits a favourably-priced and efficient retrofit solution—no matter whether retrofitting or upgrading.

Siemens is completely international—that's the norm

For us, it goes without saying that our products are internationally certified. SIMOREG products are fully compliant with the most important standards and regulations as standard—from the EN European Standard up to IEC/VDE. CE marking, UL, cUL and CSA certification make the SIMOREG DC-MASTER a real global player.



Motors—the muscles of the DC system

Our SIMOREG DC-MASTER together with the range of DC motors form the ideal team. Compact Siemens DC motors prove themselves worldwide, everywhere where favourably-priced drive systems and the highest degree of availability are demanded. They are rugged and have a long lifetime and a high power density of 0.7 kW up to 1550 kW. Whether non- or separately ventilated, with or without fan, in degree of protection IP 23, IP 54 or IP 55: the modular design permits any combination. But not only that: our DC motors can be integrated into the automation environment via the motor interface—for ongoing monitoring, precise diagnostics, effective service and maintenance.

Better to save where it really makes sense: your engineering costs

The Siemens SIMOREG product family distinguishes itself by the simple and unified operator control philosophy. Programming know-how is not required, all of the settings are made completely electronically. If you are interested in user-friendly commissioning a menu-prompted start-up via a PC is available. Furthermore, SIMOREG DC-MASTER, with BICO technology,

has an increased software functionality which significantly reduces the engineering time and costs. The benefits: master and bus systems are relieved, and in many cases a separate PLC is not required; the open and closed-loop control are realized directly in the drive. You really can depend on the SIMOREG DC-MASTER!



Siemens OP—and operator control is simple and straightforward

The optional user-friendly OP1S operator panel guarantees fast and straightforward operator control. For example, when up-reading and downloading parameter sets online and offline. The four-line plain text display with 16 characters is clear and functional. The OP1S can be universally used for all SIMOREG DC-MASTER and SIMOVERT MASTERDRIVES drive converters.

Innovative technology for applications with a high level of availability

Today, you have access to a new interface to configure parallel circuits for redundant drive systems. The complete system will still function even if one or several drives fail.

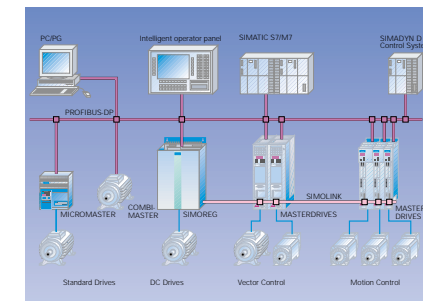
Pre-configuration for short commissioning

All SIMOREG DC-MASTER units are already pre-configured in the factory. The equipment-specific parameters no longer have to be set, and the adaptation to the particular application (e.g. the load resistor for optimum current actual values or the terminating resistor for perfect communications) are also realized fully electronically using parameters. This means that they can be immediately used when service is required. SIMOREG DC-MASTER—the more cost-effective solution even before it goes into operation.



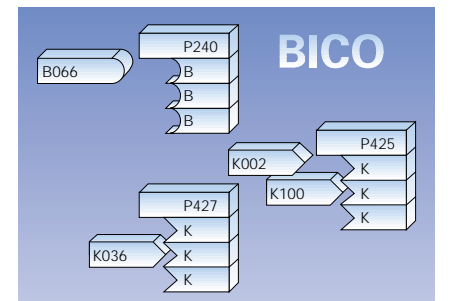
Drive ES

You can now implement Totally Integrated Automation for your drives using Drive ES. Drive ES is extremely simple to handle: the software operates with the operator interface of the SIMATIC Manager—known worldwide. The supplementary Drive ES Graphic and Drive ES SIMATIC programs provide other convincing benefits.



Communications at every level

SIMOREG DC-MASTER uses the open, standardized PROFIBUS DP fieldbus system, the direct coupling to the PC via the RS232 interface, and peer-to-peer communications via the RS485 interface. PROFIBUS DP is the central communications medium for networking in an automation environment.



Programmed for low costs: BICO software

SIMOREG DC-MASTER can be adapted to every application without requiring any programming using the user-oriented BICO technology. Closed-loop drive control and technology for various applications are parameterized in one operation—but your know-how still remains protected.

And you will also save time and costs—and avoid frustration—with Siemens Global Service

It is important that you can depend on a wide-spread service network which, when it comes to the crunch, offers you a full range of professional services. Siemens has a finely-meshed quality assurance—that is guaranteed. This starts off in

the development phase and extends up to after-sales service. A service center, which is manned around the clock, as well as our fast logistics guarantee that your SIMOREG DC-MASTER always runs smoothly.



The optimum fit for every application

SIMOREG DC-MASTER distinguish themselves due to the highest operational reliability and availability—worldwide in the widest range of industry sectors: Whether as main drives for printing or plastic machines, as traversing or hoisting drives in the crane industry, as lift or cable railway drives, for applications in the rubber and paper industries, as shears drives in the steel industry, as rolling mill drives, winder drives, cross-cutters or profile machines and dynamometers for engines, turbines or gearbox test stands.



There for you worldwide

As part of our worldwide service network, we offer you a sophisticated logistics concept for short delivery times, fast handling and prompt service. With approximately 180 service support centers in more than 110 countries, we can be reached around the clock for troubleshooting, and we also offer individual services associated with our products and systems. For us, on-call service means that we can be reached 24 hours a day for troubleshooting, but also individual services associated with all of our products and systems. As part of our on-call service, as professional technical service provider, we offer technical know-how, logistical services as well as all of the parts and components which are required for fast, straightforward service calls. E-mail: techsupport@ad.siemens.de Telephone: + 49 (0) 1 80/50 50 222 · Fax: + 49 (0) 1 80/50 50 223

Well trained for all situations

You are well equipped for every situation with our comprehensive training courses for automation and drive technology. From the basics up to highly complex technological subjects—our courses allow you to tap into the optimum know-how for your application.

Logistics at its best

You can simply and quickly order our products through the Internet—and at any time: you will find all of our products and know-how associated with automation technology under mall.siemens.de. Our sophisticated logistics concept guarantees the shortest delivery times and straightforward contract administration—so that you can quickly profit from our products.

Can be reached around the globe

SIMOREG-DC MASTER can always be accessed via GSM telephones, ISDN cables, analogue modems and via the Internet. Highest availability is guaranteed by the remote in-depth diagnostic capabilities.